



SIDE EXTENSIONS

Very practical for cutting big size of tiles.



PACKAGING

Multilingual flexographed packaging.



TRANSPORT

Very easy to carriage to reduce any encumbrance

Prof i

PROFESSIONAL MANUAL TILE CUTTER

*Designed
and made
in Italy*

	Art. 6600	Art. 6400
CUTTING LENGTH	600 mm.	420 mm.
MAX SIZE TILE FOR DIAGONAL CUTS	420x420 mm.	300x300 mm.
CUTTING THICKNESS	5-15 mm.	5-15 mm.
CUTTING WHEEL	Ø 15x6x1,5 mm.	Ø 15x6x1,5 mm.
PACKING DIMENSION	996x281x265 mm.	816x281x265 mm.
PIECES ON PALLET	28	28
PALLET DIMENSION	1000x1200x2080 mm.	820x1200x2080 mm.
NET WEIGHT	9,9 Kg.	8,5 Kg.

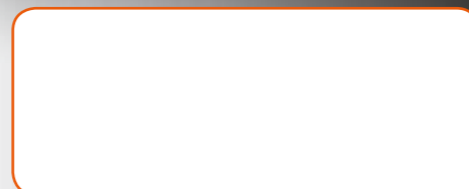


BATTIPAVTM

MACCHINE PER EDILIZIA | MACHINES FOR BUILDING

Z. i. 2 - Via Cavatorta, 6/1 | 48010 Cotignola (Ra) | ITALY
Tel. +39 0545 40004 | Fax +39 0545 41724
www.battipav.com | sales@battipav.com

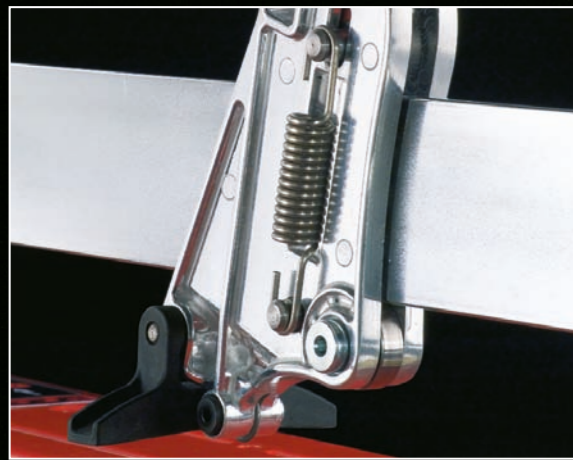
AUTHORIZED DEALER:



February 2014

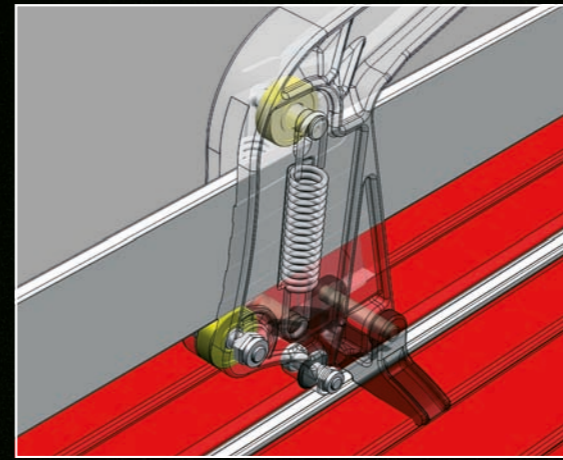
APPLICATION

Built to cut single-doublefired ceramic and porcelain stoneware tiles



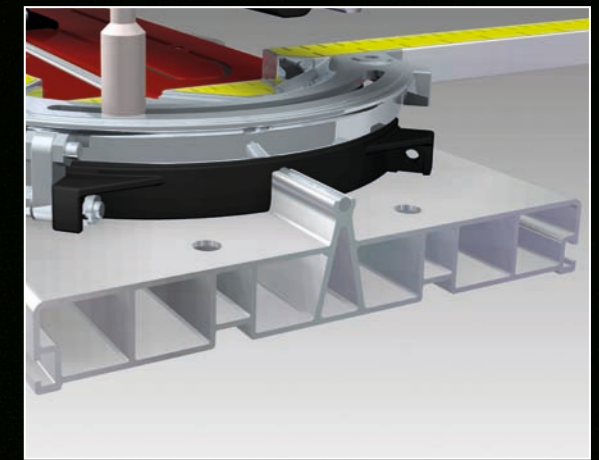
QUICK START SYSTEM

The carriage is provided with springs that makes the handle always ready to cut.



CARRIAGE

The carriage is equipped with two ball-bearings for a perfect sliding and top precision.



STRUCTURE

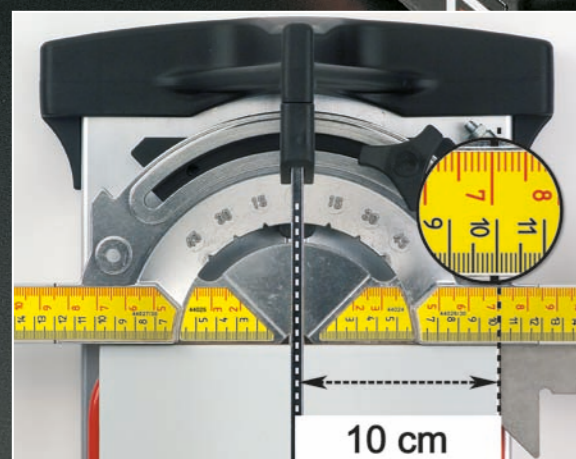
Strong body made in aluminium draw-plate to get rigidity and lightness at the same time.

Soft Grip

PUSHING CUTTING SYSTEM

WORKING TABLE

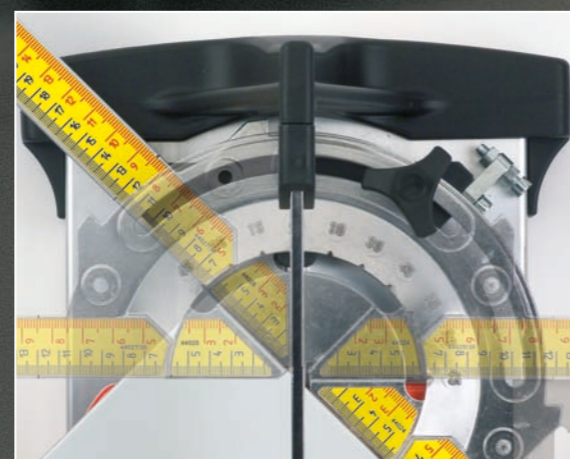
In shaped and cushioned steel with cutting line in stainless steel.



STRAIGHT CUTS

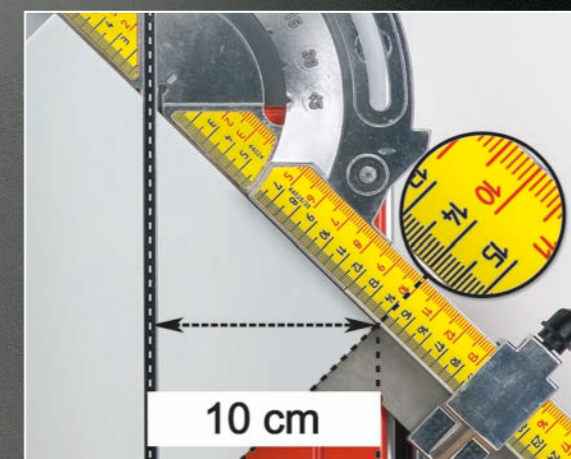
Goniometric square in "90°" position for a direct reading of the measurement for straight cuts (**Black lower scale**).

10 cm



GONIOMETRIC SQUARE

It can be rotated in all the direction: from **-45° to 0 to +45°**. Provided with double metric scale for the direct reading of the measurement of straight and diagonal cuts.



DIAGONAL CUTS

Goniometric square in "45°" position for a direct reading of the measurement for diagonal cuts (**Red upper scale**).

10 cm